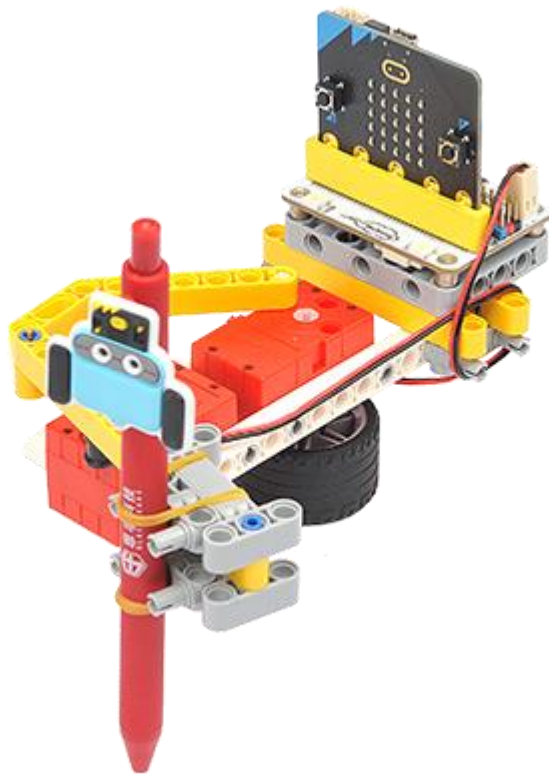


The Drawing Machine

Purpose

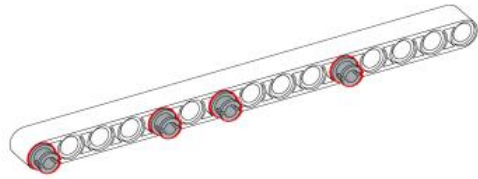
Make a drawing machine.




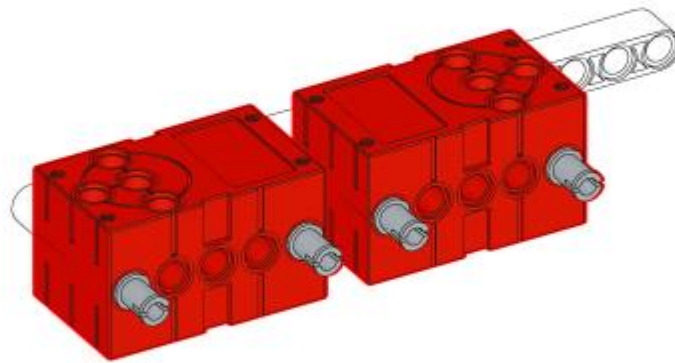
Result

Use the leather band to fix the pen on the gray double bolt parts, the drawing machine is placed on a piece of white paper, when the button A is pressed, the drawing machine begins to draw. By adjusting the speed of the motor M1 and motor M2, you can draw different patterns; when the button B is pressed, the drawing machine stops.

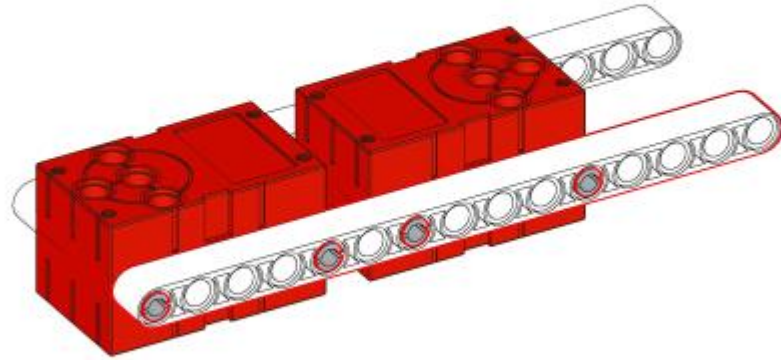
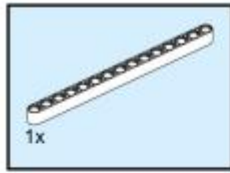
2  4x



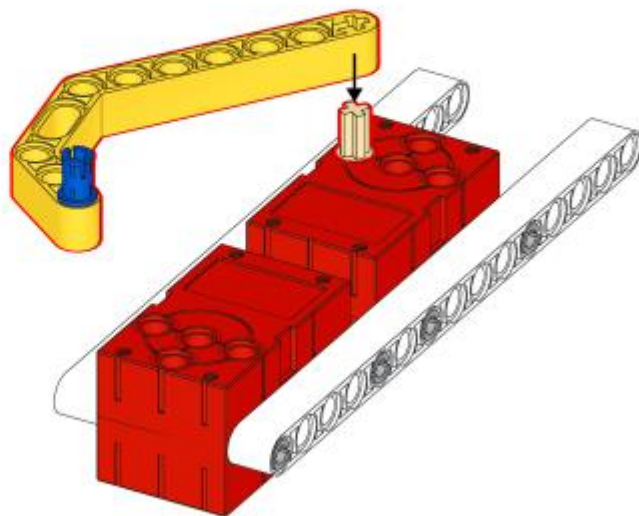
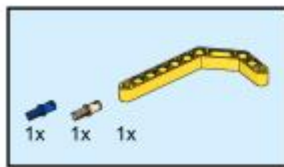
3  4x 2x



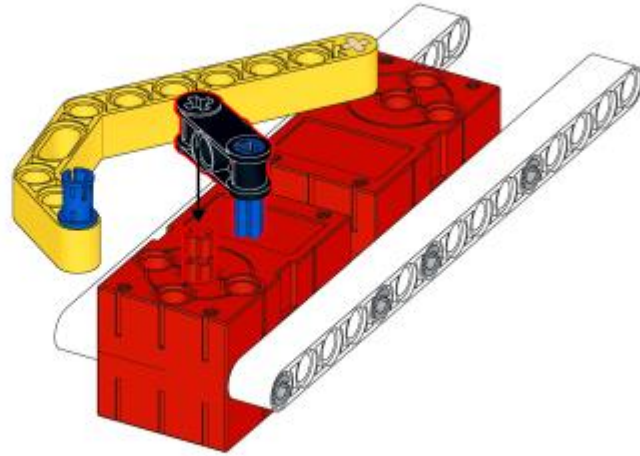
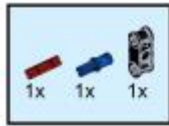
4



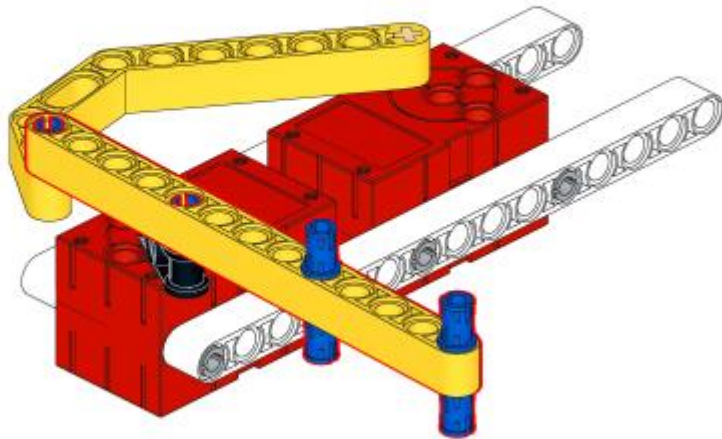
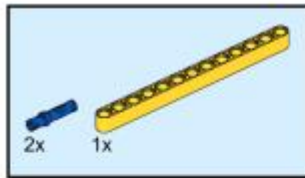
5



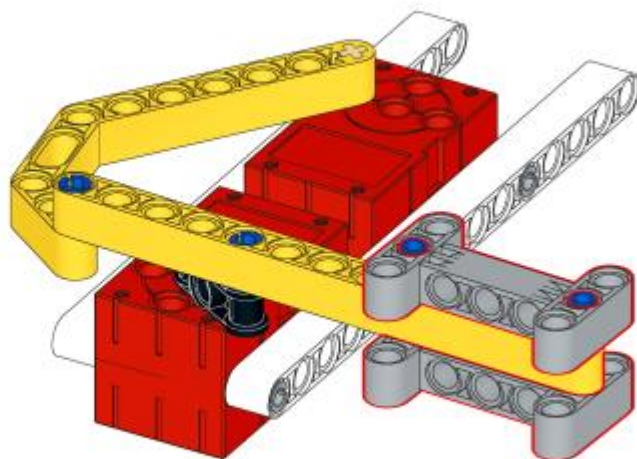
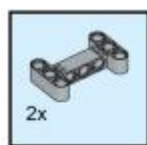
6



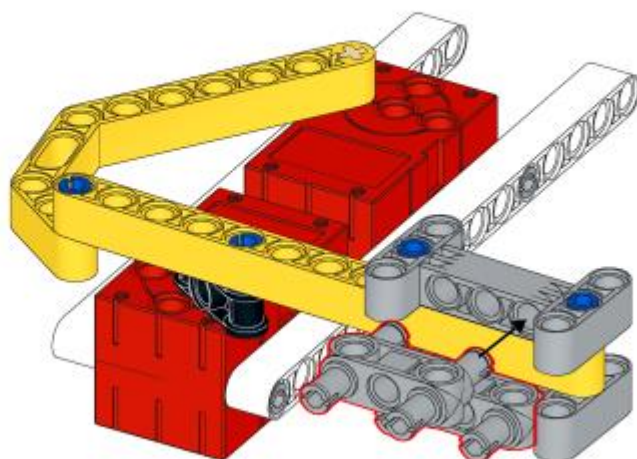
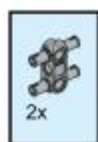
7



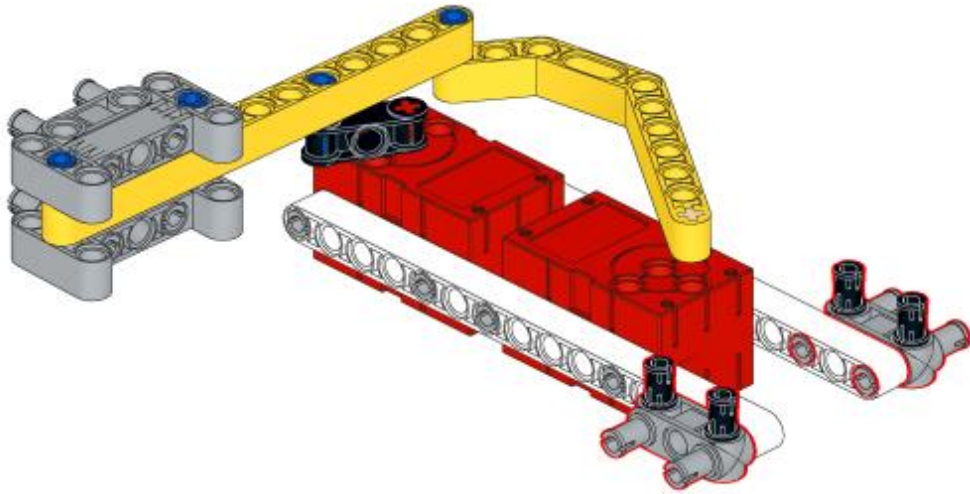
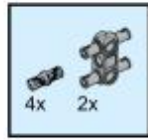
8



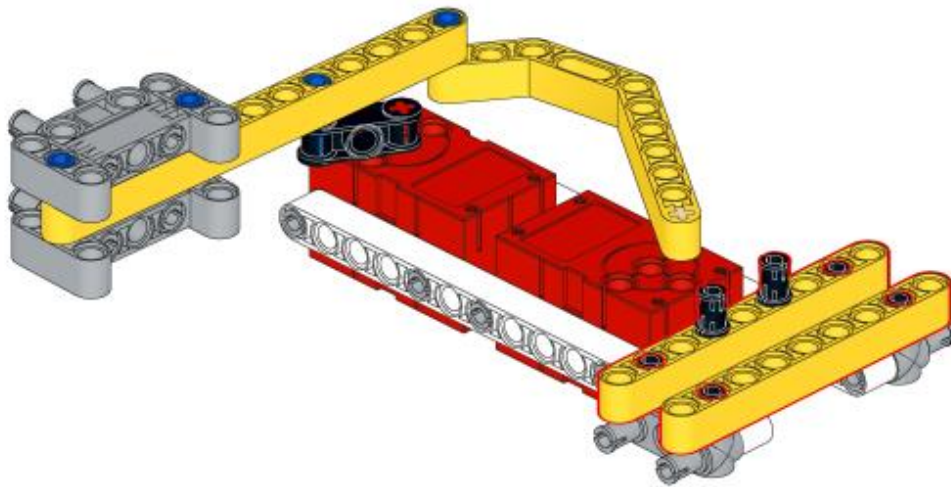
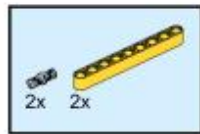
9

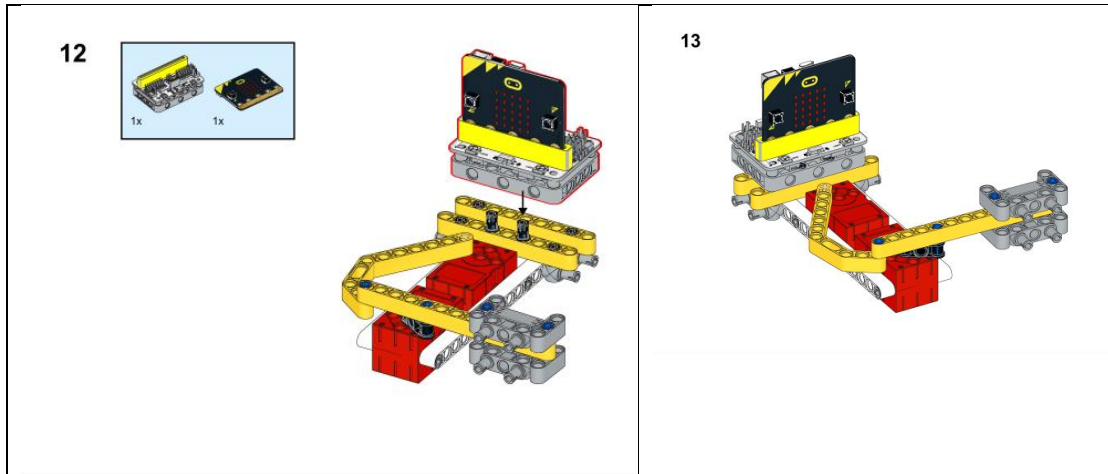


10



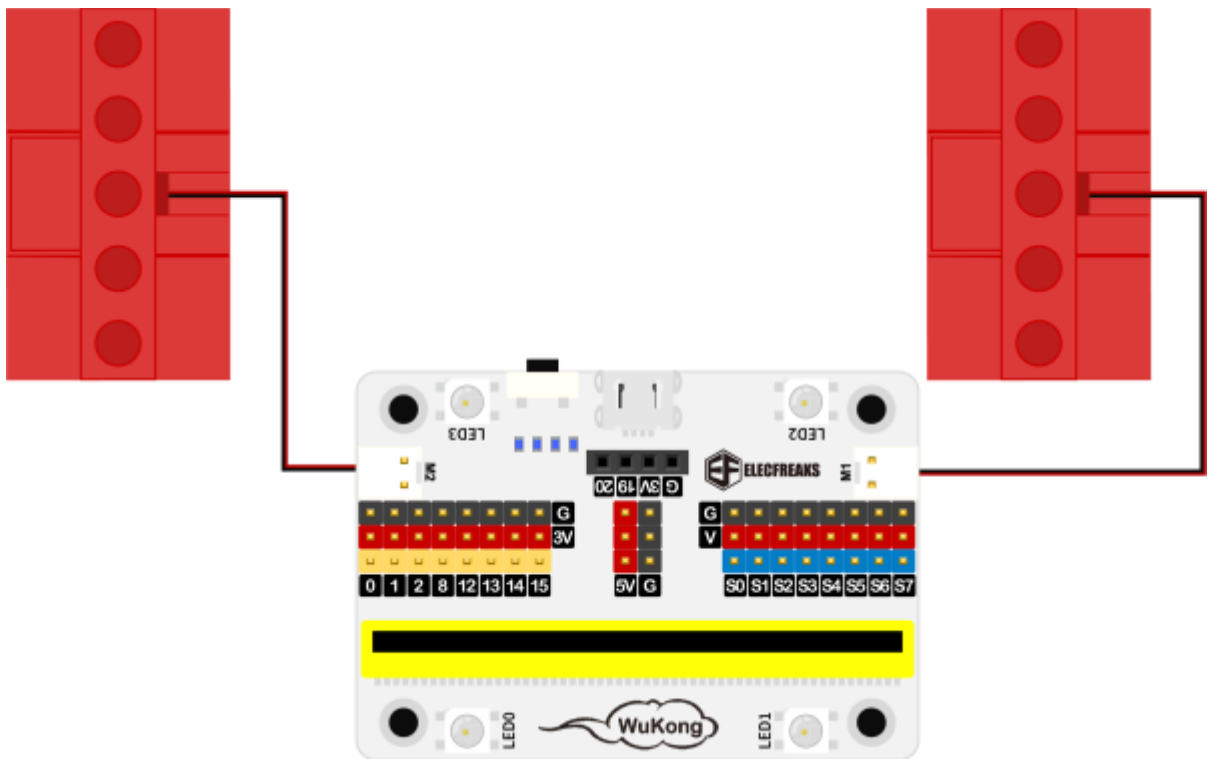
11





Hardware Connection

Connect two [motors](#) to M1 and M2 ports on [Wukong breakout board](#).

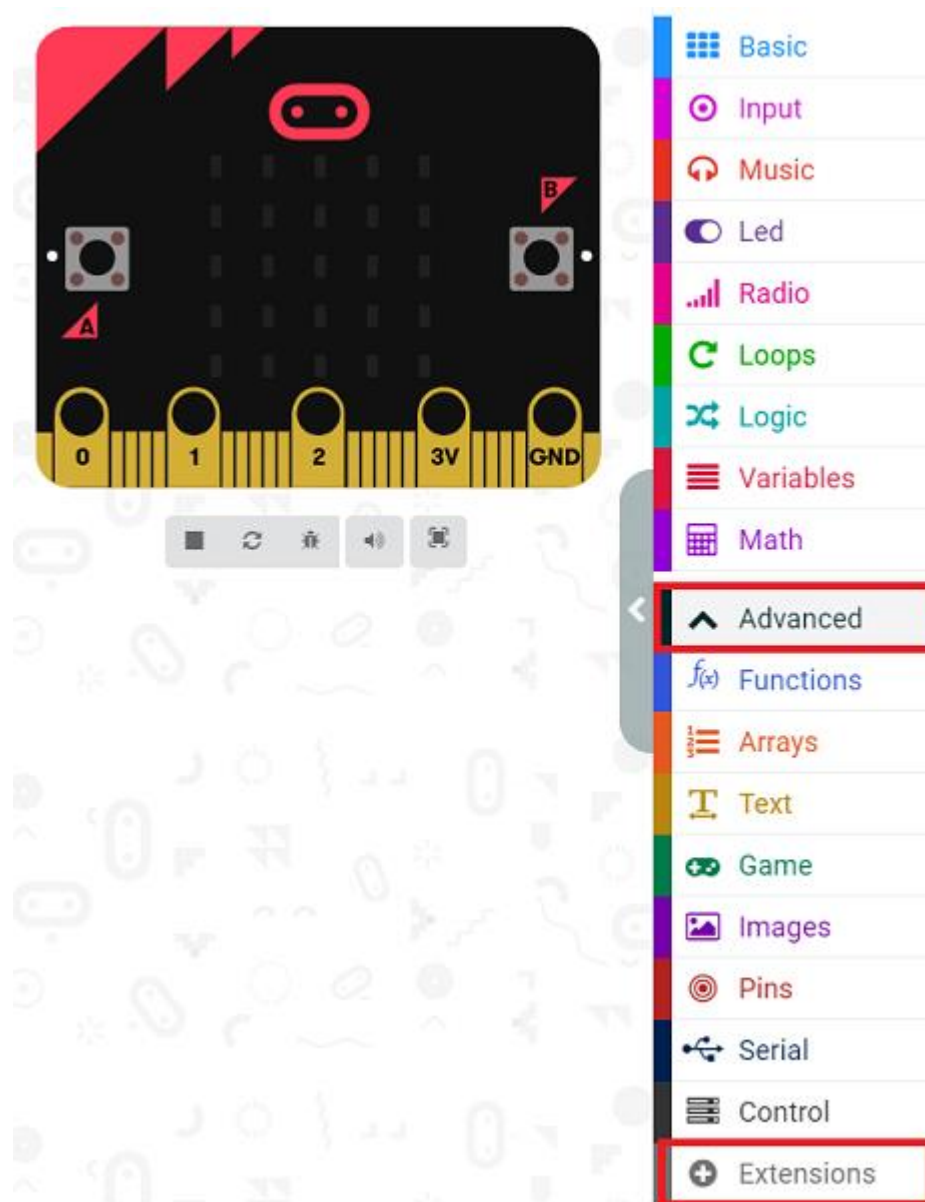


Coding

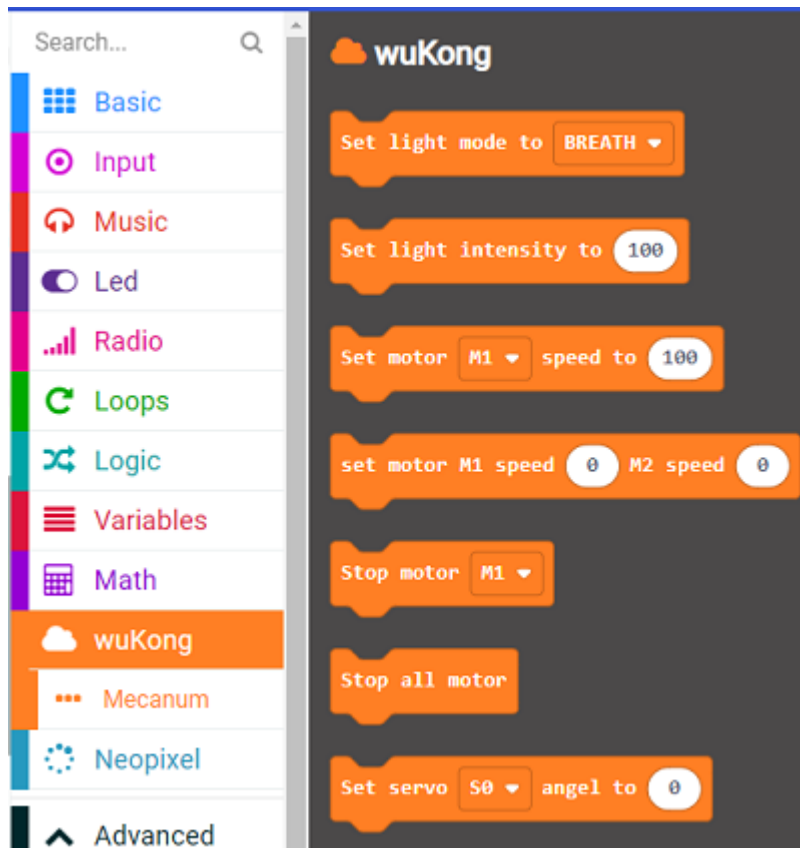
<https://makecode.microbit.org/>

Add extensions

Click "Advanced" in the MakeCode to see more choices.



Search with Wukong in the dialogue box to download it.



Program

